

# SMART3 PUMP

## User and Maintenance Manual

### Original instructions

#### TABLE OF CONTENTS

---

1. INTRODUCTION
2. GENERAL DESCRIPTION
3. PRODUCT-MACHINE IDENTIFICATION
4. TECHNICAL INFORMATION
5. MACHINE COMPONENTS
6. VERSIONS
7. UNPACKING AND INSTALLATION
8. INSTRUCTIONS FOR USE
9. PROBLEMS AND SOLUTION
10. MAINTENANCE PROCEDURE
11. DISPOSAL
12. ORDERING INFORMATION
13. DIMENSIONS
14. HANDLING AND TRANSPORTATION
15. OPERATING HAZARDS



## 1. INTRODUCTION

This User and Maintenance Manual refer to **Dropsa's "SMART3"** Oil lubrication Pump for oil and fluid grease.

You can find additional copies and newer revisions of this document from our website <http://www.dropsa.com>. Alternatively contact one of our Sales Offices.

This manual contains important information on health and safety issues for personnel. It is recommended to attentively read this manual and carefully keep it in good condition so that it is always available to personnel requiring to consult it.

## 2. GENERAL DESCRIPTION

SMART3 is a compact and versatile electric gear pump package particularly suited for machine tool and work centre lubrication systems using 33V injector systems.

The versatility of this product is thanks to a wide range of electric motors and the fact it is available with a Dropsa optical switch that can work with both oil and fluid greases.

The lubrication cycle can be determined either externally by a host PLC or by selecting a model with the built in controller board that will operate and monitor the system accordingly.

## 3. PRODUCT-MACHINE IDENTIFICATION

Machine identification yellow label is located on the front side of the reservoir and contains product serial number, input voltage and details of the operating parameters.

PRODUCT IDENTIFICATION TEST CERTIFICATE	
<b>PART NUMBER</b>	4010000
<b>VAR</b>	
<b>PACK QUANTITY</b>	xx
SMART3-MANUAL	
<b>FLOW</b>	180 cc/min
<b>PRESSURE</b>	25 bar
<b>TANK</b>	2 lt Max
<b>GREASE</b>	MAX NLGI 000
<b>OIL</b>	MIN 32 Cst
WO: IT- xxxxxxxxxx - 0002	
	 Dropsa SpA, Milan Italy
	Year: 2014
	<b>MADE IN ITALY</b>
<b>Scan for Info</b> Scannen für info Telechargez-info Info Prodotto 扫描产品信息 Сканер штрих-кода	
<b>www.DropsA.com</b>	

## 4. TECHNICAL INFORMATION

GENERAL INFORMATION	
Empty weight	4.5 Kg
ELECTRIC INFORMATION	
Motor power supply	110V – 2p – 50/60 Hz 140/175W - (2800/3500 rpm) 230V – 2p – 50 Hz 135 W - (2800 rpm) 230V – 2p – 60 Hz 170 W - (3500 rpm) 24 V DC - 55 W <sup>(1)</sup> - (2800 rpm)
OTHERS INFORMATION	
Degree of Pump protection	IP 55
Pumping system	Gear pump
Pump flow rate (free flow)	180 cc/min @ 2800 rpm 220 cc/min @ 3500 rpm
Maximum working pressure	30 bar
Outlet connection	G1/8" BSP
Reservoir capacity	2L/3L
Minimum level – Float switch option, for oil only	With NC in case of liquid
Minimum level – DropsaOptiLev Optical sensing system for oil and fluid greases.	NPN or PNP short-circuit protected signal, "off" in case of minimum level
Filter	1000 μ filtering degree
By-pass	Adjustable 0÷30 bar – precalibrated 25 bar
Pressure switch	10÷20 bar - precalibrated to 18 bar
Working Temperature	+ 5 ÷ + 60 °C
Working Humidity	90 % rel. humidity
Permitted lubricants *	Mineral lubricating oil 32 cSt-320 cSt ; Grease max NLGI000;
Storage temperature	-20 ÷ +80 °C
Sound Pressure Level	< 70 dB(A)
Max working time in continuous operation	1 min
MIN STANDBY time	5 times T-on

Note. The information refer to the temperature of use of +20°C (+68°F)

<sup>(1)</sup>2800 rpm with no load

\* If a different or special lubricant product is used, please contact Dropsa to ensure its suitability.

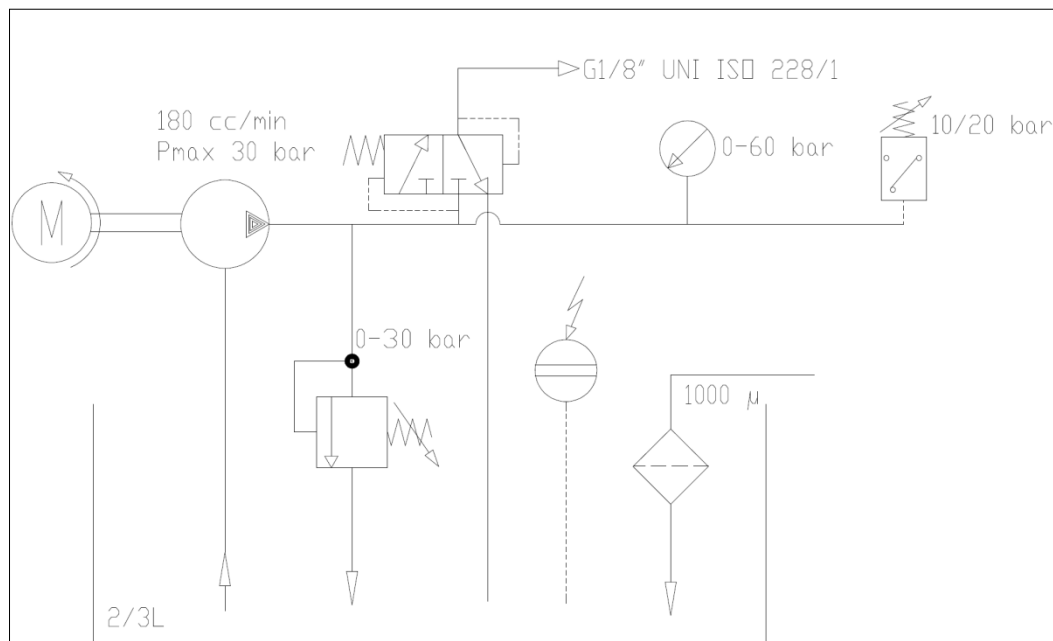


Dropsa recommends a 4 AMP overload fuse

### 4.1 HYDRAULIC SYSTEM

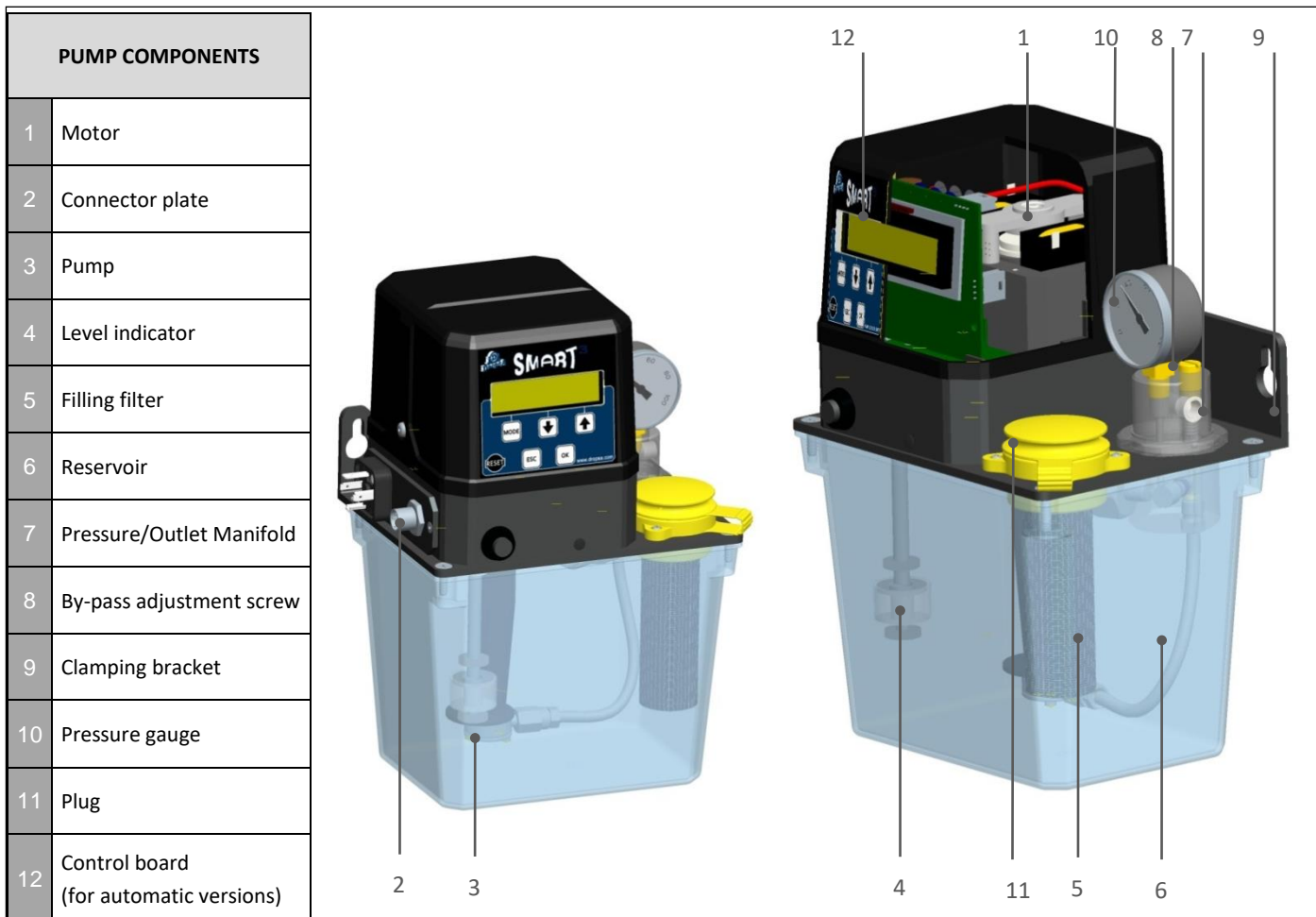
As illustrated, all pumps are equipped with:

- An integrated by-pass for pressure-regulating
- A relief valve for pressure
- An electrical minimum level
- A lubricant charging filter
- A pre-calibrated pressure switch
- A pressure gauge.



## 5. PUMP COMPONENTS

Following main components of the pump:



## 6. VERSIONS

### 6.1 MANUAL VERSION

This version is not equipped with an integrated control system. All control and monitoring of the pump is done by an external control system or PLC. This is typically the configuration used for Machine Tools factory fit.

The Pump is equipped with connection plate located under the pump cover where all electrical connections are concentrated (motor, minimum level, pressure switch). On the front face of the pump, there is a button to activate a lubrication cycle manually. When pressed, the button closes a contact. This signal is fed back to the external PLC control that will then run a lubrication cycle.

The level and Pressure switch can be wired either in series or in parallel depending on the choice of connector used by the host PLC which will determine alarm or low-level condition that may be present.



## 6.2 AUTOMATIC VERSION

The Automatic version of the pump is equipped with a built in electronic controller that controls the pump and monitors feedback from the pressure and level switches.

The control system settings and human interface is via the 16x2 character LCD display on the front face and the 5 programming buttons. A Reset button is located on the lower left side.

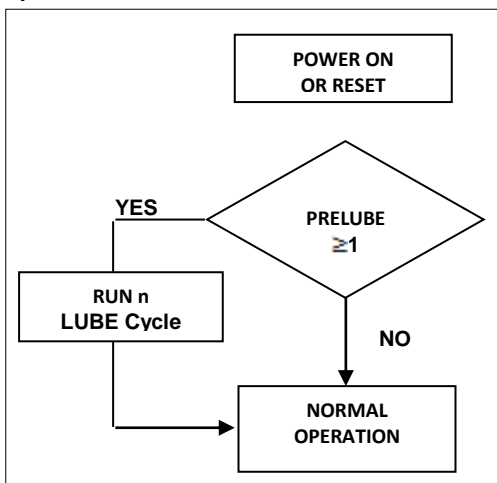
The Manual cycle button present on the Manual version remains but on the Automatic version will cause the local built in control system to run a lubrication cycle.

SMART3 automatic pumps can be programmed to operate with **intermittent lubrication** cycle that involves the following three phases:

- A) Prelube -> pre- lubrication when system is powered on
- B) Lube (lube – wait) ->the lubrication cycle
- C) Standby



### A) PRELUBE



The **pre-lube phase** allows the user to run a set number of lubrication cycles (250 Max) when the pump is powered on. This typically is used when a system needs additional quantities of oil on power up.

*Prelube* takes place:

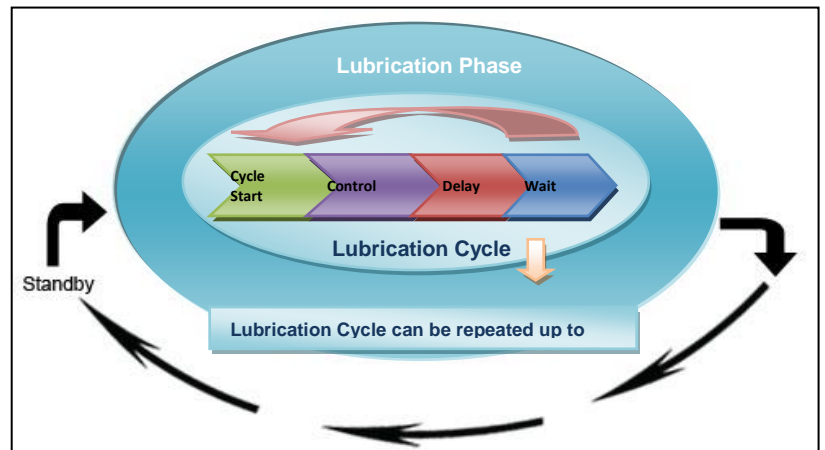
- on POWER-ON;
- on RESET;
- Any time new parameters are set.

When *prelube* is set to "0", the prelude phase is completed skipped and the pump will work just with the normal lube and standby phases.

### B) LUBE

This step is made up of a set of cycles (max 999 cycles) during which lubrication is carried out. Each cycle consists of two sub-cycles (*lube* and *wait*) and involves the monitoring of timers and and/or inputs:

- **During lube**, system delivers lubricant to the lubrication points;
- **During wait**, a timer defines the wait time between two or more lube cycles or before the beginning of the standby phase (in case only 1 lube cycle was set).



*Lubrication Phase can comprise of many Lubrication Cycles*

There are two types of lube:

- **TIMER:** The pump will simply run for the On time and then enter standby mode;
- **PS:** The pump will run until the pressure switch is made and pressure is maintained for a check period. Subsequently, the pump will be switched off and the standby phase will commence.

### C) STANDBY

During this step lubrication system is idle until the next lubrication cycle. There are three ways to regulate standby:

- **TIMER:** a timer regulate system idling;
- **PULSE:** a pulse counter regulate system idling;
- **BOTH:** both a timer and a pulse counter regulate system idling. The type of standby will depend on which of these two events will start first.

For conditions of use and programming cycles see chapter 8.

### 6.3 SIMPLIFIED AUTOMATIC VERSION “Smart & Simple”

This version is designed to allow a very simple ON/OFF operation of the pump for use in environments where simplicity is the key. The Smart3 “Smart&Simple” version has + / - keys to set the ON and standby timers of the pump. No cycle monitoring is carried out. The display will indicate the time setting for both ON and STANDBY timers.

The settable range for Cycle and Standby phases are:

<b>ON TIMER:</b>	1s – 5min
<b>OFF TIMER:</b>	5 times ON TIME – 99H 00min



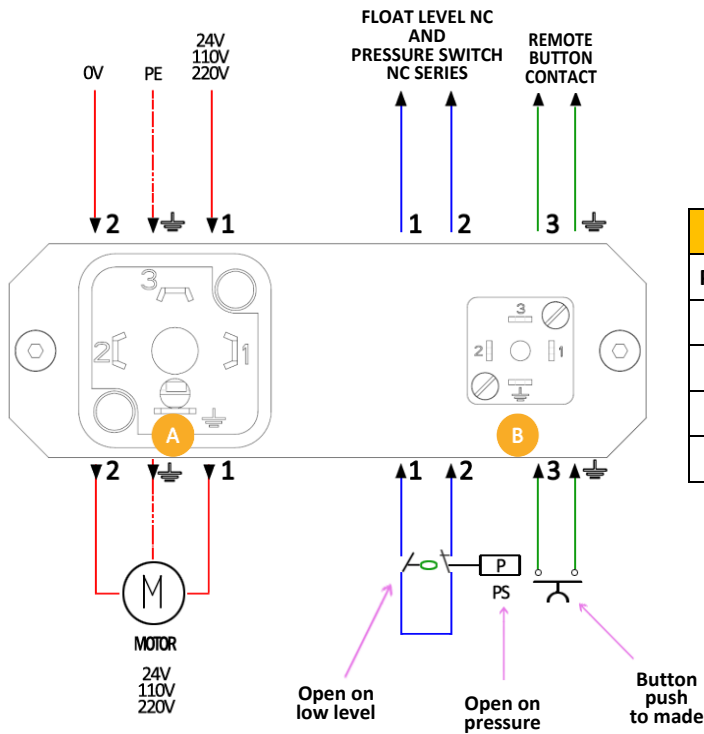
## 6.4 ELECTRICAL CONNECTIONS

### 6.4.1 Manual version

Following are different type of connectors and available signals:

#### ➤ TYPE 1

##### - FOR MANUAL VERSIONS WITH NC SERIES PRESSURE SWITCH ALARM\* - 3133800

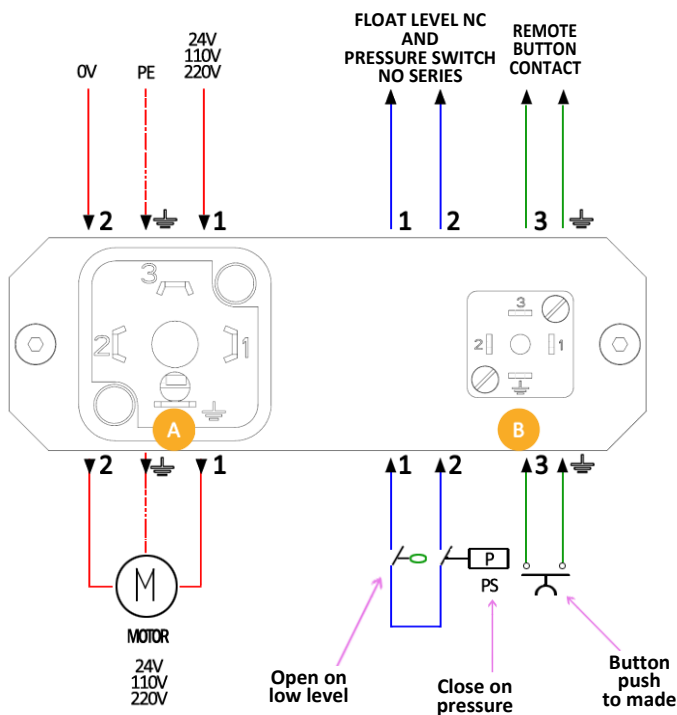


A (DIN43650)		B (DIN40050)	
PIN	DESCRIPTION	PIN	DESCRIPTION
1	AC / DC POWER INPUT	1	Voltage Free NC contact alarm Pressure switch and Level switch wired in Series
2		2	
3	NOT USED	3	Push Button Contact (Voltage Free)
4	Earth	4	

**\*APPLICABLE TO PUMP CODES:**

4010000/4010100/4010200/4010300/4010400/  
4010500/4010600/4010700

##### - FOR MANUAL VERSIONS WITH NO SERIES PRESSURE SWITCH ALARM\* - 3133800



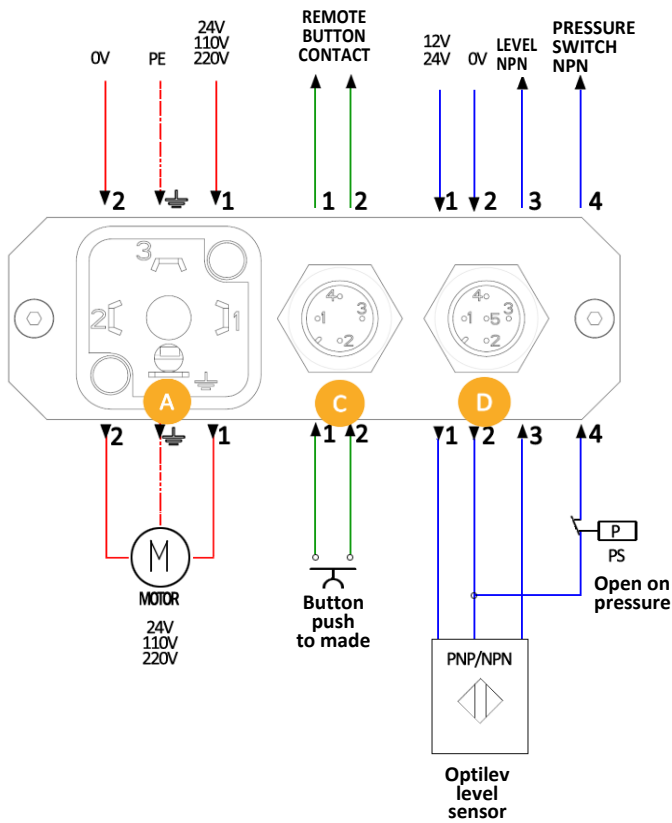
A (DIN43650)		B (DIN40050)	
PIN	DESCRIPTION	PIN	DESCRIPTION
1	AC / DC POWER INPUT	1	Voltage Free NC contact alarm Pressure switch and Level switch wired in Series
2		2	
3	NOT USED	3	Push Button Contact (Voltage Free)
4	Earth	4	

**\*APPLICABLE TO PUMP CODES:**

4010020/4010120/4010220/4010620/4010320/  
4010420/4010520/4010720

➤ **TYPE 2**

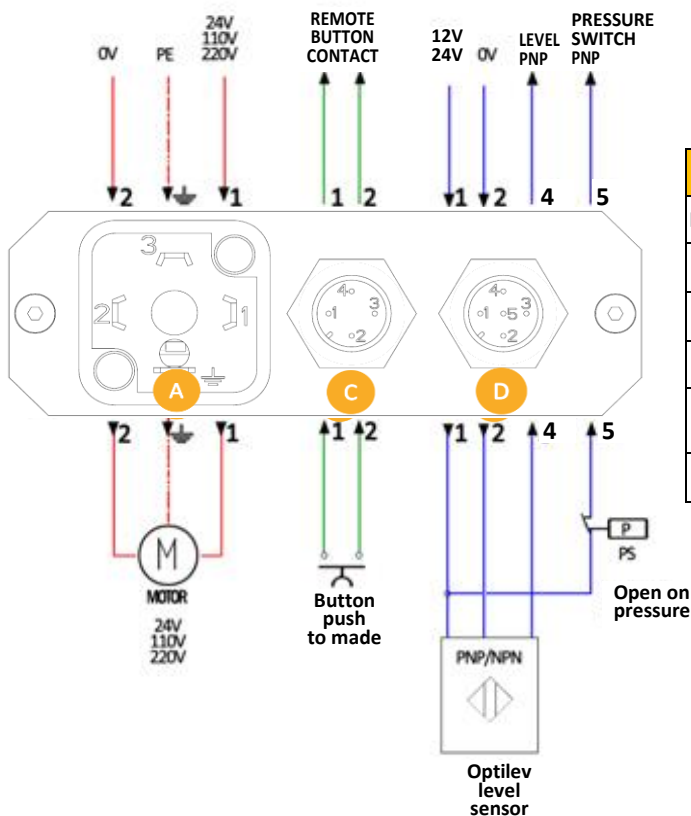
- FOR MANUAL VERSIONS WITH PRESSURE SWITCH SIGNAL AND OPTICAL LEVEL (N) \* - 3133803



A (DIN43650)		C (M12X1)		D (M12X1)	
PIN	DESCRIPTION	PIN	DESCRIPTION	PIN	DESCRIPTION
1	AC / DC POWER INPUT	1	Push Button Contact (Voltage Free)	1	Level Sensor Power supply +
2		2		Level Sensor Power supply -	
3	NOT USED	3	NOT USED	3	NPN Alarm Output of level
4	Earth	4		4	NPN signal of pressure switch
				5	NOT USED

**\* APPLICABLE TO PUMP CODES:**  
 4010013/4010113/4010213/4010313/4010413/  
 4010513/4010613/4010713

- FOR MANUAL VERSIONS WITH PRESSURE SWITCH SIGNAL AND OPTICAL LEVEL (P) \* - 3133805



A (DIN43650)		C (M12X1)		D (M12X1)	
PIN	DESCRIPTION	PIN	DESCRIPTION	PIN	DESCRIPTION
1	AC / DC POWER INPUT	1	Push Button Contact (Voltage Free)	1	Level Sensor Power supply +
2		2		Level Sensor Power supply -	
3	NOT USED	3	NOT USED	3	NOT USED
4	Earth	4		4	PNP Alarm Output of level
				5	PNP signal of pressure switch

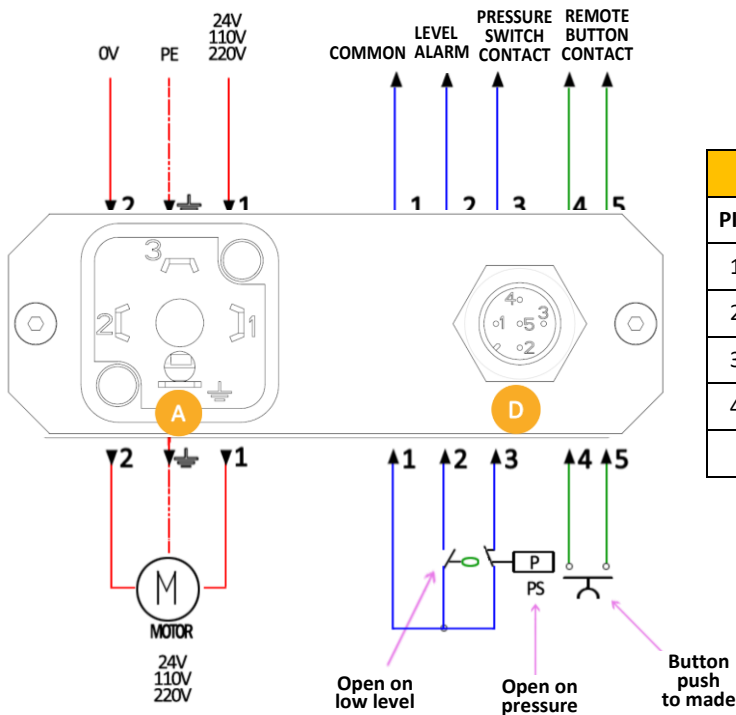
**\* APPLICABLE TO PUMP CODES:**  
 4010015/4010115/4010215/4010315/4010415/  
 4010515/4010615/4010715

For 4010225-4010525 pumps the PS is close on



➤ **TYPE 3**

**- FOR MANUAL VERSIONS WITH NC SERIES ALARM\*- 3133801**

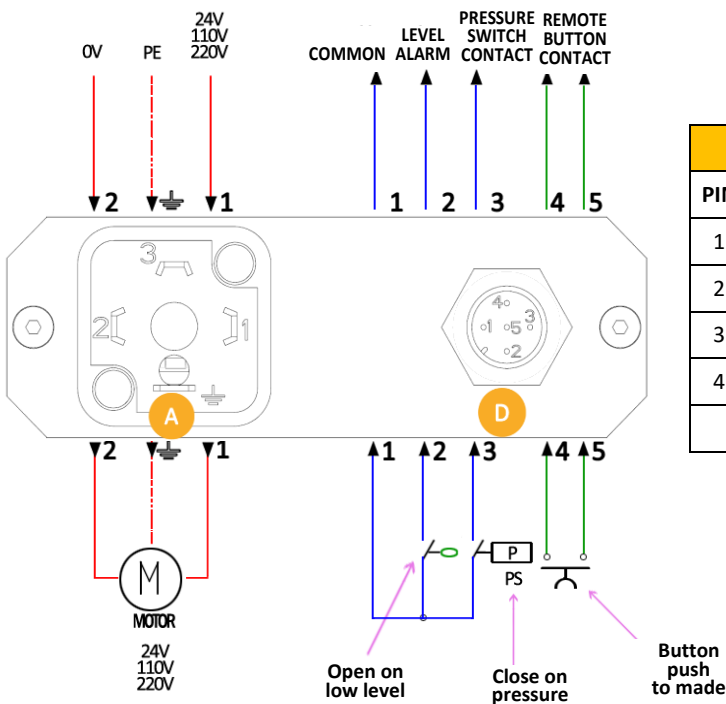


A (DIN43650)		D (M12X1)	
PIN	DESCRIPTION	PIN	DESCRIPTION
1	AC / DC POWER INPUT	1	Common
2		2	Level alarm
3	NOT USED	3	Pressure Switch Contact
4	Earth	4	Push Button Contact (Voltage Free)
		5	

**\*APPLICABLE TO PUMP CODES:**

4010001/4010101/4010201/4010301/4010401/  
4010501/4010601/4010701

**- FOR MANUAL VERSIONS WITH NO SERIES ALARM\*- 3133801**

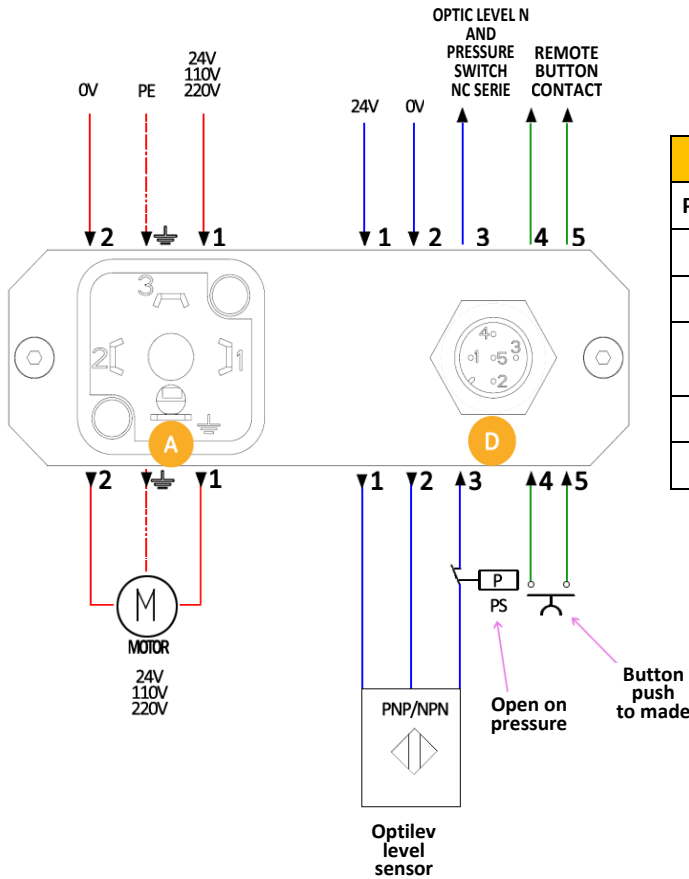


A (DIN43650)		D (M12X1)	
PIN	DESCRIPTION	PIN	DESCRIPTION
1	AC / DC POWER INPUT	1	Common
2		2	Level alarm
3	NOT USED	3	Pressure Switch Contact
4	Earth	4	Push Button Contact (Voltage Free)
		5	

**\*APPLICABLE TO PUMP CODES:**

4010621/4010721/4010021/4010121/4010221/  
4010321/4010421/4010521

**- FOR MANUAL VERSIONS WITH OPTICAL LEVEL (N) AND PRESSURE SWITCH IN SERIES\* - 3133802**

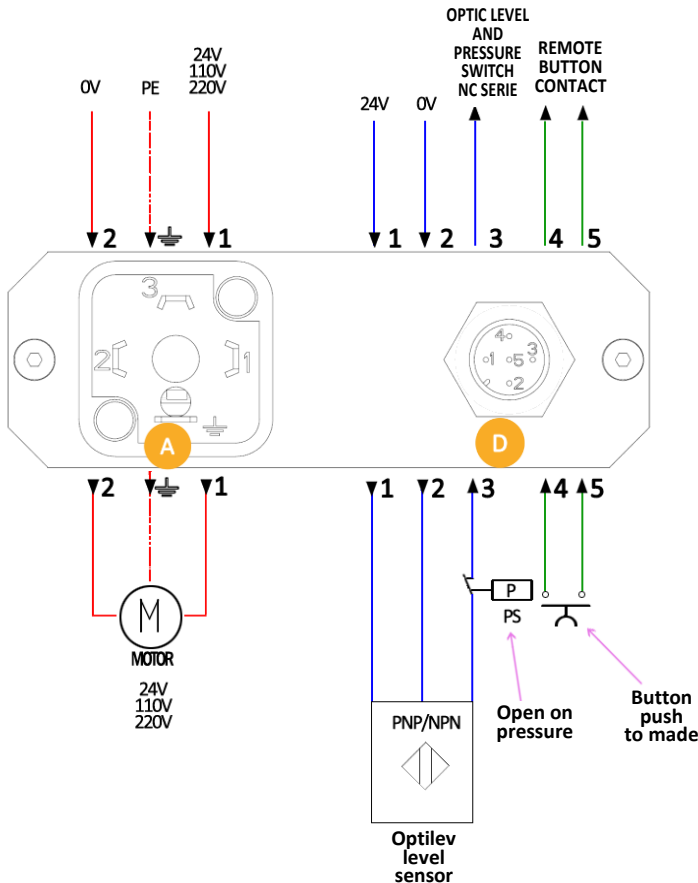


A (DIN43650)		D (M12X1)	
PIN	DESCRIPTION	PIN	DESCRIPTION
1	AC / DC POWER INPUT	1	Level Sensor Power supply +
2		2	Level Sensor Power supply -
3	NOT USED	3	NPN Alarm Output. Level and Pressure switch in series
4	Earth	4	Push Button Contact (Voltage Free)
		5	

**\*APPLICABLE TO PUMP CODES:**

4010012/4010112/4010212/4010612/4010312/  
4010412/4010512/4010712

**- FOR MANUAL VERSIONS WITH OPTICAL LEVEL (P) AND PRESSURE SWITCH IN SERIES\* - 3133804**



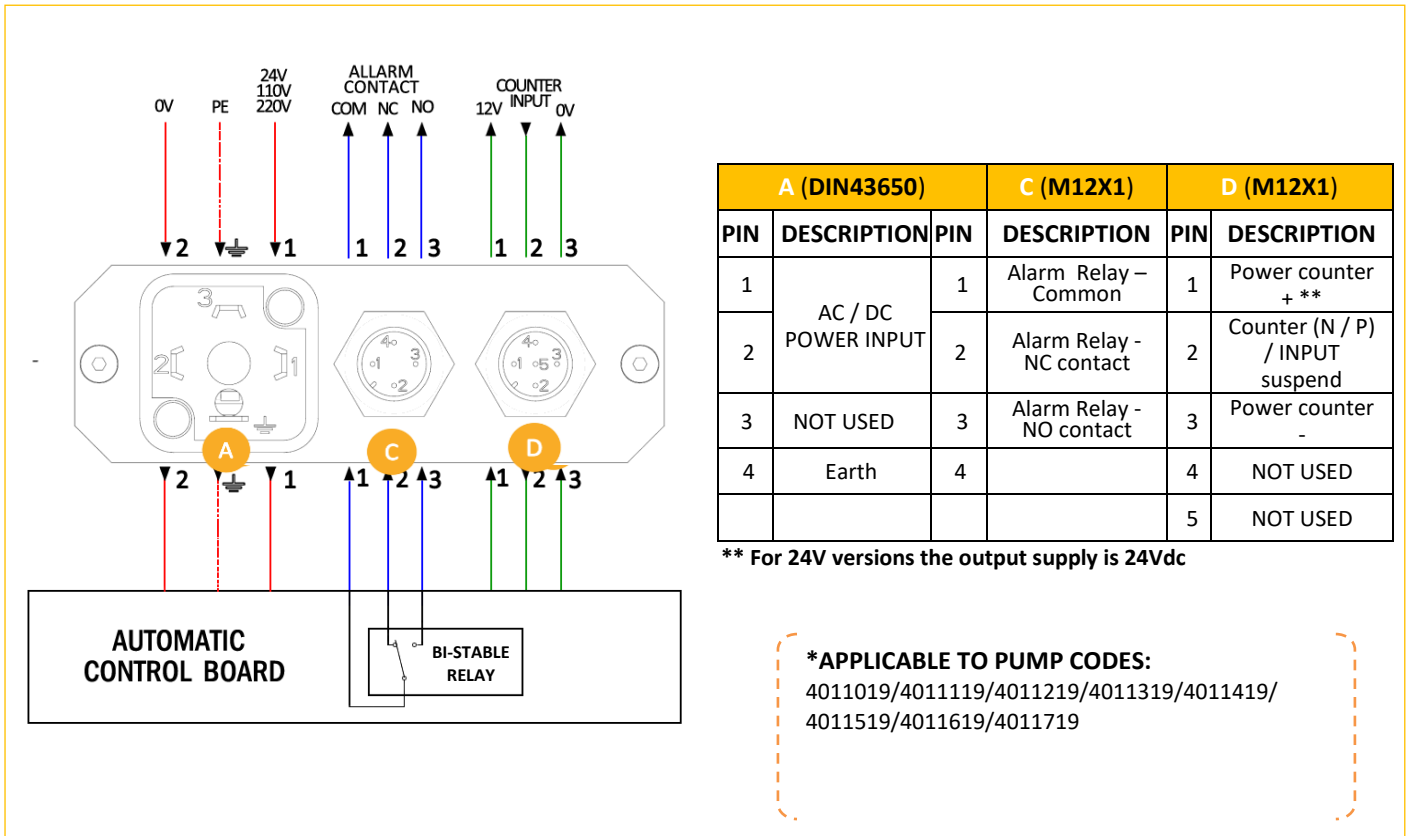
A (DIN43650)		D (M12X1)	
PIN	DESCRIPTION	PIN	DESCRIPTION
1	AC / DC POWER INPUT	1	Level Sensor Power supply +
2		2	Level Sensor Power supply -
3	NOT USED	3	PNP Alarm Output Level and pressure switch in series
4	Earth	4	Push Button Contact (Voltage Free)
		5	

**\*APPLICABLE TO PUMP CODES:**

4010014/4010114/4010214/4010314/4010414/  
4010514/4010614/4010714

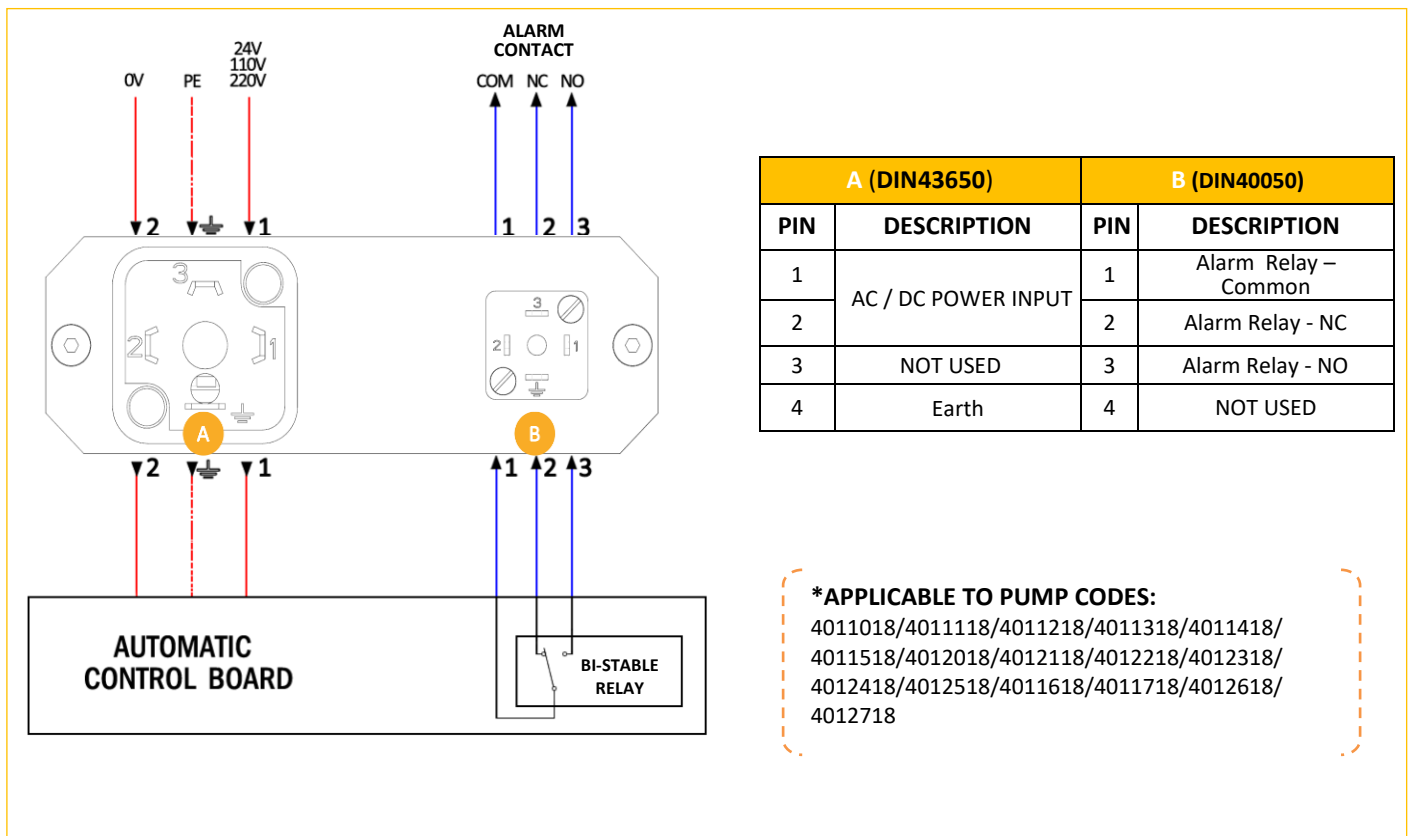
6.4.2 Full automatic version- 3133806\*

➤ **TYPE 2**



6.4.3 “Smart & Simple” AND AUTOMATIC VERSION - 3133807

➤ **TYPE 1**



## 7. UNPACKING AND INSTALLATION

### 7.1 UNPACKING

Once the suitable location for installation has been identified, open the package and remove the pump. Check that it was not damaged during transport or storage. The packaging material does not require special disposal precautions as it is not in any way dangerous or polluting. Refer to the local regulations for disposal.

### 7.2 INSTALLATION

Allow a sufficient amount of space for installation, leaving a minimum parametric space of 100 mm (3,93 in.).

For wall-mounting, suitable space must be provided (see the installation diagram) to prevent abnormal positions or the possibility of impacts; fixing holes are provided on the plate (see Section 12).

Connect the pipe onto the outlet pressure manifold using a suitable fitting arrangement. Do not exceed 15 Nm. torques.

Proceed with electrical connections and fill the reservoir(making sure not to exceed the maximum visual level).

## 8. INSTRUCTIONS FOR USE

### 8.1 START-UP OF THE PUMP

Before using the pump, a few preliminary checks must be performed:

- Check the integrity of the power supply cable and the unit prior to use.
- If there is damage to the power supply cable or the unit, do not start operations!
- Replace the damaged power supply cable with a new one.
- The unit may only be opened and repaired by specialized personnel.
- In order to prevent the danger of electrocution due to direct or indirect contact with live parts, the electric power supply line must be suitably protected by a specific differential magnetothermic switch with a triggering threshold of 0.03 Ampere and max triggering time of 1 second.



The cut-off power of the switch must be = 10 kV and the rated current= 4 A

- It is prohibited to use the pump if submersed in fluids or in a particularly aggressive or explosive/inflammable environment if not previously prepared for that purpose by the supplier.
- Use safety gloves or glasses as specified in the safety sheet for the lubricating oil
- DO NOT use aggressive lubricants with NBR gaskets. In the case of doubt, contact the DropsaSpA technical office to receive a detailed card about the recommended oils.
- Do not ignore the hazards to health and comply with the health regulations.
- Check the integrity of the pump
- Check that the pump is at the operating temperature and that there are no air bubbles in the pipes.
- Check that the electric connection was carried out correctly.
- Check the connection of the level and the pressure switch, if necessary, to the control panel.
- Once the pump has started, check the direction of rotation of the electric motor: if it rotates backward, reconnect it as shown in the wiring diagram provided with the motor.



**ATTENTION:** All components must be ground connected. This applies both to electric components as well as to control devices. For this purpose, make sure that the ground wire is directly connected. For safety reasons, the ground conductor must be approx. 100 mm longer than the phase conductors. If the cable is accidentally disconnected, the ground terminal must be the last to be disconnected.

### 8.2 INSTRUCTIONS FOR USE

- 1) Press the start button on the machine to which the pump is connected or start it;
- 2) Check that the pump starts;
- 3) To change the pressure value, turn the adjustment screw (see Chap. 5). Turn it clockwise to increase the pressure or counter clockwise to decrease it;
- 4) Check that the machine lubrication is suitable (if there are doubts about correct operation, the DropsaSpA technical office can be contacted to request the inspection procedure).

### 8.3 RESERVOIR FILLING

Reservoir filling is done via the filling cap with filter. Fill the reservoir and do not exceed the maximum level line.

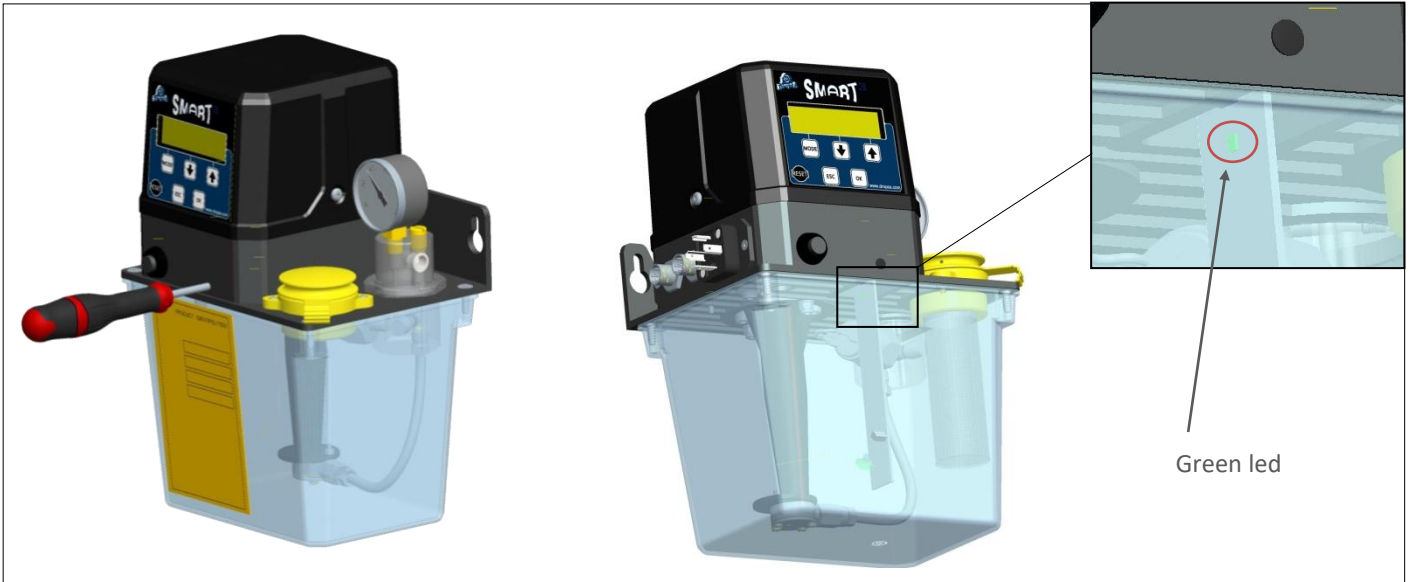


### 8.4 ADJUSTEMENT/CALIBRATION OF THE DROPSA OPTILEV OPTICAL LEVEL (on selected models)

The level is tested and calibrated with oil by Dropsa, however is recommended before starting the pump to follow the procedure below:

- 1) Fill the reservoir;
- 2) Open the front regulating hole;
- 3) Turn the level adjustment screw using a screwdriver, until the green led on the level is off (see the image below);
- 4) Turn the screw in the opposite direction until the minimum signal level disappearance on the display (or the green LED for manual versions).

At the end of this procedure the level is correctly set. It is possible to re-do the calibration following the same procedure above.

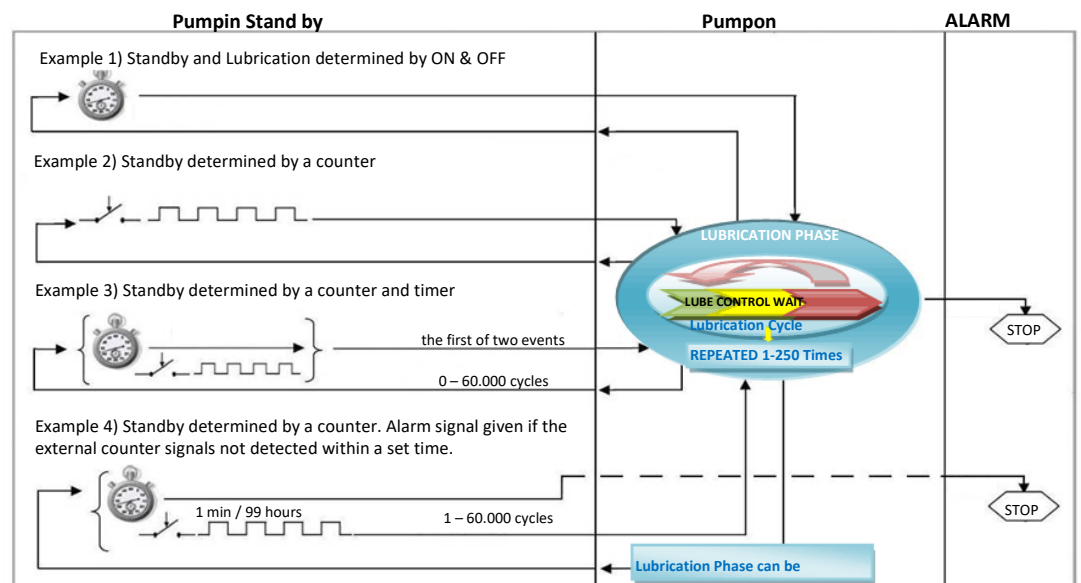


### 8.5 OPERATING MODE FOR AUTOMATIC VERSIONS

For automatic version, you can set two different operating modes: CYCLE or PULSE as described below:

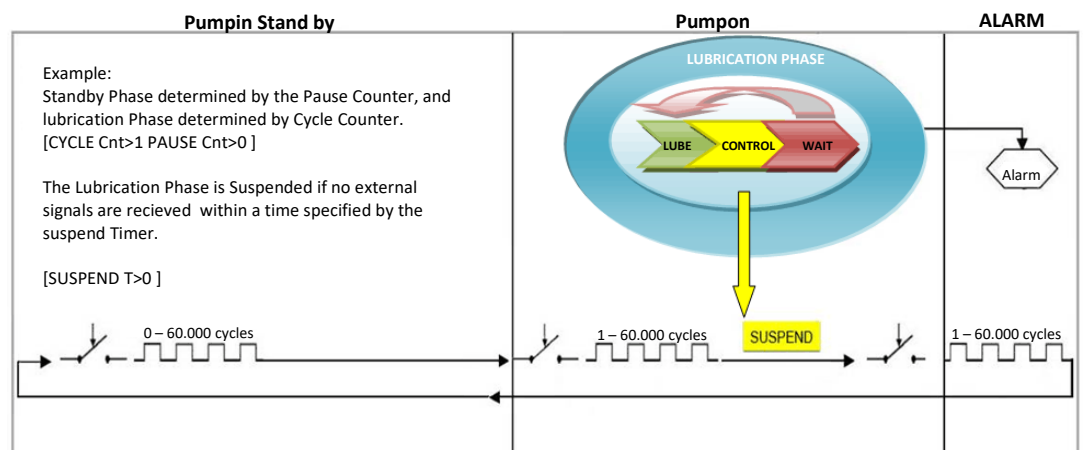
#### 8.5.1 "CYCLE" Mode

In Cycle mode if you use a timer, the lubrication cycle will be completed when the timer ends. The Cycle will complete when the timer expires or the pressure is reached. The Standby phase is determined by a timer or by an external input counter.



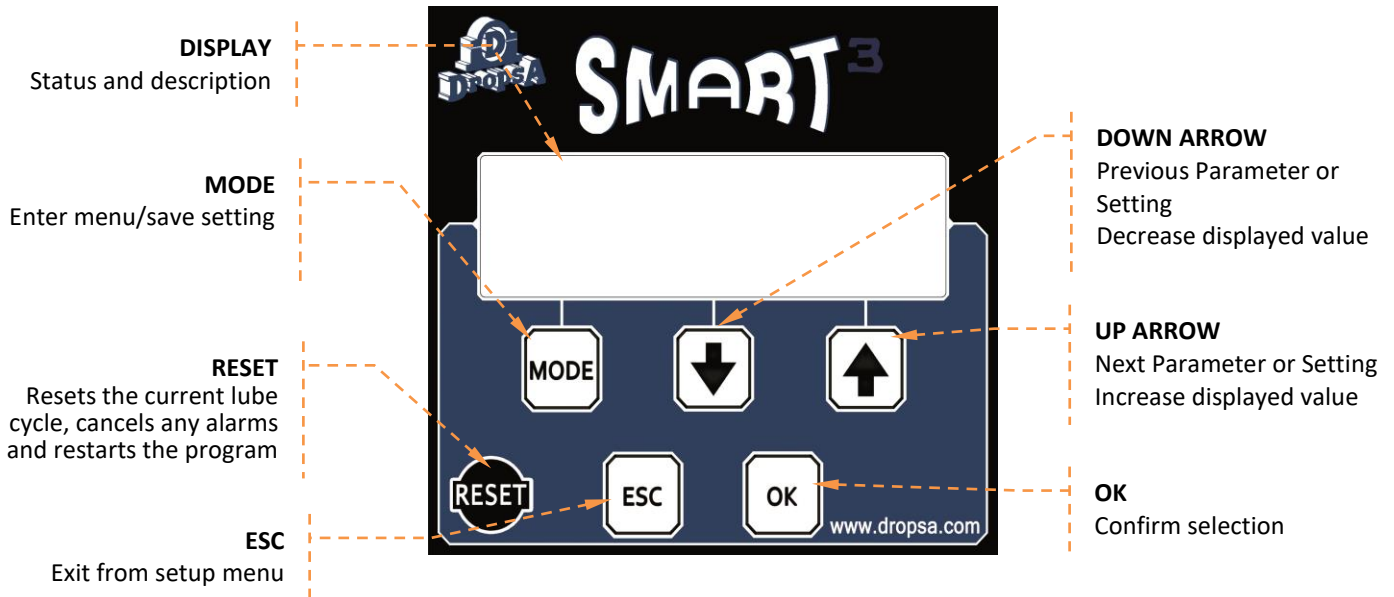
#### 8.5.2 "PULSE" MODE

In *Pulse* mode, the duration of the *Standby Phase* and the *Lubrication Phase* are both determined by an external signal counter. The correct operation of the *Lubrication Cycle* can be monitored using a cycle sensor. This mode is typically used for conveyor or chain lubrication where the duration of the lubrication cycle is determined by an external pulse.

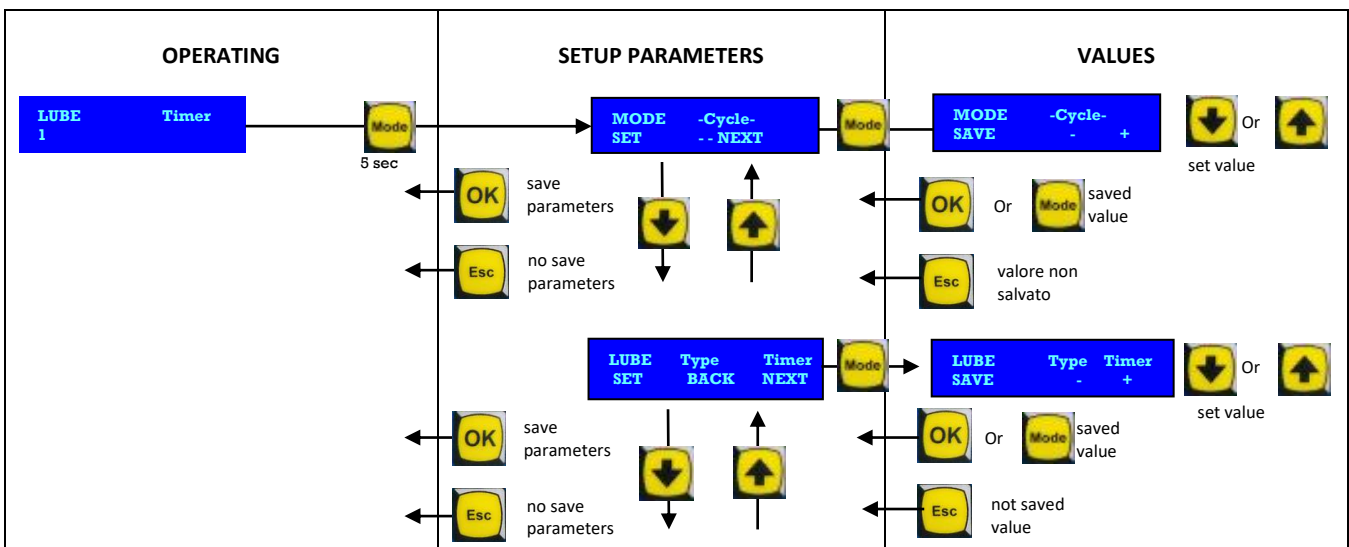


## 8.6 FULL AUTOMATIC VERSION PROGRAMMING

Buttons key functions of complete automatic version.



Following diagram shows how to navigate around the parameters and change values.



To enter the SETUP menu from the OPERATING Mode, hold the (Mode) button for 5 seconds.

The (Up and Down) keys allow scrolling through the parameters.

By pressing the Mode button again, the indicated parameter value can be modified by using the Up and Down keys.

To exit, use the (OK) key, or (Esc) if you want to exit without saving



**NOTE:** When power is removed from the electronic controller it will save the cycle condition in memory. When power is reapplied the controller will resume the logic from exactly the same point (unless the PRELUBE option is set).

When powering on the system or when pressing the RESET button the controller will display the firmware version of the unit for 2 seconds.

For all modes the Prelube parameter determines if the pump starts in a lubrication cycle when it is set to ON.



**ATTENTION:** The machine may only be opened and repaired by Dropsa personnel.

### 8.7 PROGRAMMING THE SMART3 AUTOMATIC VERSION

When switching on the SMART 3 you are automatically in the BASIC MENU. This allows you to run simple lubrication systems with only the main parameters settable such as pause and on time. If you have more complex requirements - such as multiple monitored cycles or prelube cycles, the user should enter the extended menu. For details on extended menu please refer to section 8.7.1.

The main parameters to set are **CYCLE END** and **LUBE TYPE**.

**CYCLE END** is settable as 'cycle' or 'pulse'. If **CYCLE** is selected it means that the lube cycle is completed with a signal from a sensor. Pulse means that both the standby time and run time is completed by sensor.

**LUBE TYPE** is settable as 'TIMER' or 'no control' or '33vps'.

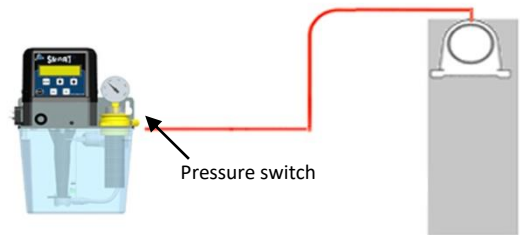
If **CYCLE END** is set to 'CYCLE' then you can only choose between 'TIMER'(cycle ends on timed basis) or '33vps'(cycle ends on ps signal).

If **CYCLE END** is set to 'PULSE' you can choose between 'NO control'(no ps switch needed to finish cycle) or '33vps'(pressure switch signal must be received to finish cycle).

- SMART3 PUMP DEFAULT IS SET with "**CYCLE END**" in "CYCLE" and "**LUBE TYPE**" IN "33V/PS":

**BASIC MENU** allows setting pause time between lubrication and the next one.

BASIC PARAMETERS			
PARAMETER	DEFAULT	DESCRIPTION	RANGE
Standby	6m 00s	Standby time	5s – 99h00m

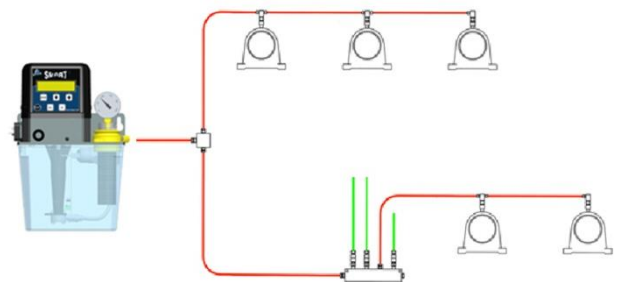


To allow the user to select the other main parameters in **EXTENDED MENU**, hold "MODE" button for 5 seconds as described in previous section and select following parameters you need.

- "**CYCLE END**" in "CYCLE" and "**LUBE TYPE**" in "TIMER"

With these parameters you can set **BASIC MENU** the duration of a lubrication cycle. So, in this case, the pump will lubricate the system every 6 minutes for 30 seconds.

BASIC PARAMETERS			
PARAMETER	DEFAULT	DESCRIPTION	RANGE
Lube Timer	30 sec	How long the pump will run	1s – 2 min
Standby	6m 00s	Standby time	5s – 99h00m



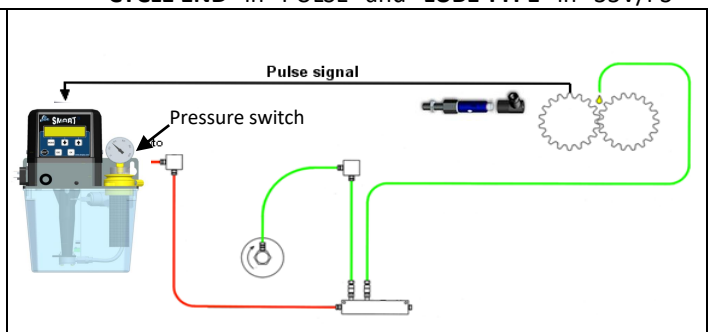
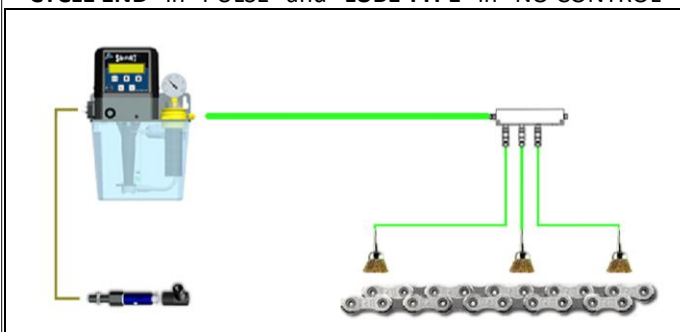
If you need that the pump manages cycle lubrication with an external signal you can set two parameters:

- "**CYCLE END**" in "PULSE" and "**LUBE TYPE**" in "NO CONTROL"
- "**CYCLE END**" in "PULSE" and "**LUBE TYPE**" in "33V/PS"

Both cases **BASIC MENU** allow setting timeout time for pulses received. Default pause is set to 1, therefore, each lubrication pump will pause for a tot. SEC set to leave again. Second case ("CYCLE END" in "PULSE" and "LUBE TYPE" in "33V/PS") pump is controlled by the setting pressure.

"CYCLE END" in "PULSE" and "LUBE TYPE" in "NO CONTROL"

"CYCLE END" in "PULSE" and "LUBE TYPE" in "33V/PS"



### 8.7.1 COMPLETE LIST OF PARAMETERS FOR AUTOMATIC VERSIONS

APPLICABILITY column of the table shows the possible combinations of the parameters, in relation to the work mode selection (using CYCLE END parameter) and the control type of lubrication cycle (using LUBE TYPE parameter).

PARAMETER NAME	DEFAULT VALUE	DESCRIPTION	BASIC MENU	VALUES/ RANGE	APPLICABILITY				
CYCLE END	CYCLE	<b>SELECTS THE OPERATING MODE:</b>							
		Lubrication Cycle completed when the cycle sensor confirms correct lubrication		<b>CYCLE</b>					
		Both Standby and Lubrication Phase determined by external signal		<b>PULSE</b>				<b>PULSE</b>	<b>CYCLE</b>
LUBE TYPE	TIMER	<b>SELECTS THE CYCLE MONITORING:</b>						X	X
		IF CYCLE SELECTED		<b>TIMER-33V</b>					
		IF PULSE SELECTED		<b>NO CONTROL - 33V</b>					
PauseBy	TIMER	Determines Standby Phase Timing  Time based Standby  Whichever of above 2 events occurs first  A set number of external PULSE signals  By PULSE signals. However, if PAUSE TIME is reached, an alarm will be given		Timer  Time & CNT  Counter  Tout& Cnt	X	X		X	
PAUSE	6m 00s	Pause time	X	5s – 99h00m	X	X		X	
CYCLE TOUT	30 sec	Timeout counter determines max time permissible for cycle completion before a timeout alarm is generated.		1s - 2min	X		X	X	
LUBE TIME	30 sec	How long the pump will run	X	1s – 2min		X		X	
LUBE CYCLES	1	Number of Lubrication Cycles to complete a Lubrication Phase		1 – 250	X	X		X	
START IN	Resume	Determines state at power on:							
		Start in Standby Phase		Standby	X	X	X	X	
		Start in Lubrication phase		Lube					
PRELUBE	0	Number of Prelube Cycles		0 – 250	X	X		X	
ALARM	Standard	How REMOTE ALARM is managed Relay is powered off during alarm standard NO/NC A Pulse Coded Alarm signal is given (for details see section 9.1)		Standard Coded	X	X	X	X	
STOP	On all	Determines what Alarm conditions should stop the Lubrication cycles.							
		Never stop the lubrication cycle		On none					
		All alarm conditions		On All	X	X	X	X	
		All but min Level stops the pump		All but min Level					
WAIT TIME	10s	Time between two Lubrication Cycles within the Lubrication Phase		Null – 2min	X	X	X	X	
DELAY TIME	5s	When the pressure switch is made, how long to keep the pump running to ensure that the signal is genuine and not a pressure spike		0s – 2min	X		X	X	
SUSPEND	Disable	In enabled, the pump will suspend operation if the external suspend signal is present		Disable -Enable	X	X		X	
SUSPEND T	1.5 s	In Pulse Mode, if pulses are not received within this time the pump will be in alarm		Null – 2min	X	X	X		
PAUSE CNT	1	In Cycle Mode sets the number of external pulses for standby. This parameter can be used in conjunction with the pause timer. If set to zero the standby will be based exclusively on the 'standby timer' setting.  In Pulse mode, sets the duration (in pulses) for standby phase.	X	0 –250 (cycle mode)  1-60000 (PULSE mode)	X	X	X	X	
PAUSE MULT	1	The multiplier is used to increase the order of magnitude of the standby counter. For example sending a multiplier of 100 and a standby counter of 52 will result in a standby value of 5200		1; 10; 100	X	X	X		
CYCLE CNT	1	The Duration of the Lubrication cycle (in PULSE Mode)		1-60000	X	X	X		
SET DEFAULT VAL.		RESET TO FACTORY DEFAULT SETTINGS		Yes – No	X	X	X	X	



### 8.8 SMART&SIMPLE – SIMPLIFIED AUTOMATIC VERSION PROGRAMMING

In this version the pump operates only in TIMER mode. Using 4 buttons placed on the panel you can set times and pause of lubrication. To change ON and OFF timing press related buttons for 3s.



## 9. PROBLEMS AND SOLUTIONS

### 9.1 ALARM TABLE for AUTOMATIC VERSION

The following is a list of possible alarms generated by the SMART3 AUTOMATIC VERSION with information for troubleshooting purposes.

ALARM CODE	DESCRIPTION	NOTES/CHECKS/SOLUTIONS
ALARM 01	LOW LEVEL	The Low level sensor has triggered. Replenish the oil reservoir.
ALARM 05	PS ALREADY ON	The pressure switch has not been detected in the specified time. Make sure that you have set the timer to a value that allows the cycle to complete and check for leaks.
ALARM 06	PS AFTER WAIT	The P2 input has been activated and the Boost Function has increased the number of Lubrication Cycles in the Lubrication Phase.
ALARM 07	NOT IN PRESS.	No pressure switch detected within timeout time. Check that the pump and pressure switch are working properly and that there are no leaks in the system.
ALARM 08	PAUSE TIMEOUT	In PS Cycle mode, the pressure switch was already active before the pump was switched on. Check to ensure the venting system is operating correctly.
ALARM 15	UNCODED FAIL	An unknown Internal error has occurred. Try resetting the unit. If the error re-occurs, the unit must be returned to Dropsa for inspection.

### 9.2 REMOTE CODED ALARM FUNCTION

The SMART3 AUTOMATIC VERSION has the ability to use a remote pulsed coded alarm contact.

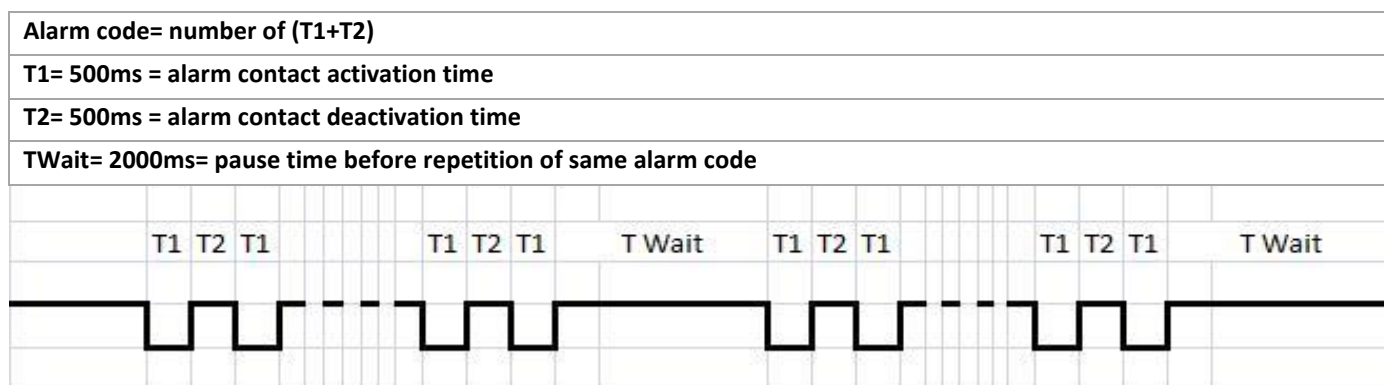
Every time the SMART3 AUTOMATIC VERSION enters an alarm condition, the remote alarm relay contact is activated.

Most alarm contacts are simply a NC or NO contact that gives a remote system indication that the local controller is in a fault condition.

Additionally, the SMART3 AUTOMATIC VERSION can trigger the alarm according to the alarm code being generated and allow a remote PLC (or even a remote LAMP signal) to read the number of the alarm being generated.

This is done by pulsing the alarm relay in 500ms bursts with a 2000ms gap between each signal burst.

The timing chart below shows how to interface the logic with your PLC.



### 9.3 DIAGNOSTICS

A diagnostics table is provided below that indicates the main anomalies, the probable causes and the possible solutions. If you were not able to solve the problem after consulting the diagnostics table, do not try to find the fault by disassembling machine parts but contact the Dropsa technical office and report the anomalies that have been discovered, with a detailed description.

DIAGNOSTICS TABLE		
PROBLEMS	PROBABLE CAUSES	ACTIONS
<b>The pump does not deliver oil</b>	<ul style="list-style-type: none"> <li>It intakes air because the tank is empty</li> <li>The intake filter is dirty or clogged</li> <li>The internal fittings are loose or broken</li> <li>The motor rotates backward</li> </ul>	<ul style="list-style-type: none"> <li>Restore the level in the tank and bleed the air from the system</li> <li>Wash the filter with petroleum and blow with compressed air</li> <li>Carefully close all the fittings, making sure there are no leaks and replace the broken pipes.</li> <li>Correctly connect the motor, inverting the direction of rotation</li> </ul>
<b>The pump does not deliver oil at the required pressure</b>	<ul style="list-style-type: none"> <li>Pump deteriorated</li> <li>Pressure control valve uncalibrated set too low (therefore the oil returns immediately to the tank).</li> <li>Release valve damaged</li> <li>Adjustment valve incorrectly calibrated</li> <li>Presence of dirt in the by-pass valve</li> </ul>	<ul style="list-style-type: none"> <li>Replace the pump</li> <li>Tighten the adjustment screw until oil comes out of the delivery pipe</li> <li>Replace the by-pass valve</li> <li>Connect a pipe that is approx. 30 cm long to the pump outlet with a pressure gauge applied to the free end. Adjust the valve by turning the screw and reading the corresponding pressure value on the pressure gauge</li> <li>Remove the components and wash them with petroleum. Before reassembling the components, check the wear status of the O-ring. Replace the entire assembly if necessary</li> </ul>
<b>Line pressure not released</b>	<ul style="list-style-type: none"> <li>Control valve with irregular operation</li> </ul>	<ul style="list-style-type: none"> <li>Disassemble and clean the by-pass valve, replace the valve if necessary</li> </ul>
<b>Emptying of the main system line during the pause time</b>	<ul style="list-style-type: none"> <li>Pump or system outlet fittings loosened</li> <li>Non-return or release valve dirty</li> </ul>	<ul style="list-style-type: none"> <li>Tighten the fittings</li> <li>Disassemble and clean the by-pass valve, replace the valve if necessary</li> </ul>
<b>Lubrication cycle not performed</b>	Cycle control pressure switch calibration pressure not reached due to: <ul style="list-style-type: none"> <li>Line pipe broken or loose fittings</li> <li>Pressure switch calibrated higher than the pump</li> <li>The pump does not deliver oil at the required pressure</li> <li>The pump does not deliver oil</li> </ul>	<ul style="list-style-type: none"> <li>Replace the pipe - fully tighten the fittings</li> <li>Correctly calibrate the pressure switch</li> <li>See the diagnostics table</li> <li>See the diagnostics table</li> </ul>

## 10. MAINTENANCE PROCEDURE

---

The pump was designed and built in order to minimize maintenance requirements. To simplify maintenance, it is recommended to install it in an easy to reach position.

- Periodically check the pipe joints to detect any leaks. Furthermore, always keep the pump clean to be able to quickly detect any leaks or defects.
- Check if the filter is clean after every 2000 hours of operation.

The machine does not require any special equipment for any control and/or maintenance activity. It is recommended to use tools and personal protective devices suitable for use (gloves) and that are in good condition according to current regulations to prevent damage to people or machine parts.



***ATTENTION:*** Make sure that the electric and hydraulic power supplies are disconnected before carrying out any maintenance work.

In the case of doubts and/or problems that cannot be solved, do not try to discover the reason by disassembling machine parts, but contact the DROPSA S.p.A technical office.

## 11. DISPOSAL

---

During machine maintenance, or if it is demolished, do not dispose of the polluting parts in an improper manner. Refer to the local regulations for their correct disposal. When demolishing the machine, the identification plate and all other documents must be destroyed.

## 12. ORDERING INFORMATION

SMART3 - MANUAL VERSION - NO CONTROLLER						
LEVEL	ALARM	RESERVOIR	CONNECTOR PLATE	VOLTAGE	DESCRIPTION	PART NUMBER
Magnetic for oil	Contact level open without oil in series pressure switch open on pressure	2L	Type 1 3133800	24Vdc	SMART3-MAN-24V-2L-FL-S-NC	4010000
				110Vac-50/60Hz	SMART3-MAN-110V-2L-FL-S-NC	4010100
				230Vac-50Hz	SMART3-MAN-230V50-2L-FL-S-NC	4010200
		3L		230Vac-60Hz	SMART3-MAN-230V60-2L-FL-S-NC	4010600
				24Vdc	SMART3-MAN-24V-3L-FL-S-NC	4010300
				110Vac-50/60Hz	SMART3-MAN-110V-3L-FL-S-NC	4010400
				230Vac-50Hz	SMART3-MAN-230V50-3L-FL-S-NC	4010500
	Contact level open without oil in parallel pressure switch contact open on pressure	2L	Type 3 3133801	230Vac-60Hz	SMART3-MAN-230V60-3L-FL-S-NC	4010700
				24Vdc	SMART3-MAN-24V-2L-FL-P-NC	4010001
				110Vac-50/60Hz	SMART3-MAN-110V-2L-FL-P-NC	4010101
		3L		230Vac-50Hz	SMART3-MAN-230V50-2L-FL-P-NC	4010201
				230Vac-60Hz	SMART3-MAN-230V60-2L-FL-P-NC	4010601
				24Vdc	SMART3-MAN-24V-3L-FL-P-NC	4010301
				110Vac-50/60Hz	SMART3-MAN-110V-3L-FL-P-NC	4010401
Optical for oil/fluid grease	Level N signal in series pressure switch contact open under pressure	2L	Type 3 3133802	230Vac-50Hz	SMART3-MAN-230V50-3L-FL-P-NC	4010501
				230Vac-60Hz	SMART3-MAN-230V60-3L-FL-P-NC	4010701
				24Vdc	SMART3-MAN-24V-2L-OP-NPN-S-NC	4010012
		3L		110Vac-50/60Hz	SMART3-MAN-110V-2L-OP-NPN-S-NC	4010112
				230Vac-50Hz	SMART3-M-230V50-2L-OP-NPN-S-NC	4010212
				230Vac-60Hz	SMART3-M-230V60-2L-OP-NPN-S-NC	4010612
				24Vdc	SMART3-MAN-24V-3L-OP-NPN-S-NC	4010312
	Level N signal in parallel pressure switch contact open under pressure	2L	Type 2 3133803	110Vac-50/60Hz	SMART3-MAN-110V-3L-OP-NPN-S-NC	4010412
				230Vac-50Hz	SMART3-M-230V50-3L-OP-NPN-S-NC	4010512
				230Vac-60Hz	SMART3-M-230V60-3L-OP-NPN-S-NC	4010712
		3L		24Vdc	SMART3-MAN-24V-2L-OP-NPN-P-NC	4010013
				110Vac-50/60Hz	SMART3-MAN-110V-2L-OP-NPN-P-NC	4010113
				230Vac-50Hz	SMART3-M-230V50-2L-OP-NPN-P-NC	4010213
				230Vac-60Hz	SMART3-M-230V60-2L-OP-NPN-P-NC	4010613
	P Level signal in series pressure switch contact open under pressure	2L	Type 3 3133804	24Vdc	SMART3-MAN-24V-3L-OP-NPN-P-NC	4010313
				110Vac-50/60Hz	SMART3-MAN-110V-3L-OP-NPN-P-NC	4010413
				230Vac-50Hz	SMART3-M-230V50-3L-OP-NPN-P-NC	4010513
		3L		230Vac-60Hz	SMART3-M-230V60-3L-OP-NPN-P-NC	4010713
				24Vdc	SMART3-MAN-24V-2L-OP-PNP-S-NC	4010014
				110Vac-50/60Hz	SMART3-MAN-110V-2L-OP-PNP-S-NC	4010114
				230Vac-50Hz	SMART3-M-230V50-2L-OP-PNP-S-NC	4010214
	P Level signal and parallel pressure switch contact open under pressure	2L	Type 2 3133805	230Vac-60Hz	SMART3-M-230V60-2L-OP-PNP-S-NC	4010614
				24Vdc	SMART3-MAN-24V-3L-OP-PNP-S-NC	4010314
				110Vac-50/60Hz	SMART3-MAN-110V-3L-OP-PNP-S-NC	4010414
		3L		230Vac-50Hz	SMART3-M-230V50-3L-OP-PNP-S-NC	4010514
				230Vac-60Hz	SMART3-M-230V60-3L-OP-PNP-S-NC	4010714
				24Vdc	SMART3-MAN-24V-2L-OP-PNP-P-NC	4010015
				110Vac-50/60Hz	SMART3-MAN-110V-2L-OP-PNP-P-NC	4010115
P Level signal and parallel pressure switch contact close under pressure	2L	TIPO 2 3133805	230Vac-50Hz	SMART3-M-230V50-2L-OP-PNP-P-NC	4010215	
			230Vac-60Hz	SMART3-M-230V60-2L-OP-PNP-P-NC	4010615	
			24Vdc	SMART3-MAN-24V-3L-OP-PNP-P-NC	4010315	
	3L		110Vac-50/60Hz	SMART3-MAN-110V-3L-OP-PNP-P-NC	4010415	
			230Vac-50Hz	SMART3-M-230V50-3L-OP-PNP-P-NC	4010515	
230Vac-60Hz	SMART3-M-230V60-3L-OP-PNP-P-NC	4010715				
Magnetic for oil	Contact level open without oil series pressure switch contact close on pressure	2L	Type 1 3133800	24Vdc	SMART3-MAN-24V-2L-FL-S-NO	4010020
				110Vac-50/60Hz	SMART3-MAN-110V-2L-FL-S-NO	4010120
				230Vac-50Hz	SMART3-MAN-230V50-2L-FL-S-NO	4010220
		3L		230Vac-60Hz	SMART3-MAN-230V60-2L-FL-S-NO	4010620
				24Vdc	SMART3-MAN-24V-3L-FL-S-NO	4010320
				110Vac-50/60Hz	SMART3-MAN-110V-3L-FL-S-NO	4010420
				230Vac-50Hz	SMART3-MAN-230V50-3L-FL-S-NO	4010520
	Contact level open without oil in parallel pressure switch contact close on pressure	2L	Type 3 3133801	230Vac-60Hz	SMART3-MAN-230V60-3L-FL-S-NO	4010720
				24Vdc	SMART3-MAN-24V-2L-FL-P-NO	4010021
				110Vac-50/60Hz	SMART3-MAN-110V-2L-FL-P-NO	4010121
		3L		230Vac-50Hz	SMART3-MAN-230V50-2L-FL-P-NO	4010221
				230Vac-60Hz	SMART3-MAN-230V60-2L-FL-P-NO	4010621
				24Vdc	SMART3-MAN-24V-3L-FL-P-NO	4010321
				110Vac-50/60Hz	SMART3-MAN-110V-3L-FL-P-NO	4010421
230Vac-50Hz	SMART3-MAN-230V50-3L-FL-P-NO	4010521				
230Vac-60Hz	SMART3-MAN-230V60-3L-FL-P-NO	4010721				

SMART3 - AUTOMATIC VERSION-ON BOARD CONTROLLER						
LEVEL	ALARM	RESERVOIR	CONNECTOR PLATE	VOLTAGE	DESCRIPTION	PART NUMBER
Magnetic for oil	Contact NO/NC	2L	Type 1 3133807	24Vdc	SMART3-AUT-24V-2L-FL-NC/NO	4011018
				110Vac-50/60Hz	SMART3-AUT-110V-2L-FL-NC/NO	4011118
				230Vac-50Hz	SMART3-AUT-230V50-2L-FL-NC/NO	4011218
				230Vac-60Hz	SMART3-AUT-230V60-2L-FL-NC/NO	4011618
		3L		24Vdc	SMART3-AUT-24V-3L-FL-NC/NO	4011318
				110Vac-50/60Hz	SMART3-AUT-110V-3L-FL-NC/NO	4011418
				230Vac-50Hz	SMART3-AUT-230V50-3L-FL-NC/NO	4011518
				230Vac-60Hz	SMART3-AUT-230V60-3L-FL-NC/NO	4011718
Optical for oil/fluid grease	Contact NO/NC	2L	Type 2 3133806	24Vdc	SMART3-AUTC-24V-2L-OP-NC/NO	4011019
				110Vac-50/60Hz	SMART3-AUTC-110V-2L-OP-NC/NO	4011119
				230Vac-50Hz	SMART3-AUTC-230V50-2L-OP-NC/NO	4011219
				230Vac-60Hz	SMART3-AUTC-230V60-2L-OP-NC/NO	4011619
	Contact NO/NC	3L		24Vdc	SMART3-AUTC-24V-3L-OP-NC/NO	4011319
				110Vac-50/60Hz	SMART3-AUTC-110V-3L-OP-NC/NO	4011419
				230Vac-50Hz	SMART3-AUTC-230V50-3L-OP-NC/NO	4011519
				230Vac-60Hz	SMART3-AUTC-230V60-3L-OP-NC/NO	4011719

AUTOMATIC VERSION - SMART&SIMPLE						
LEVEL	ALARM	RESERVOIR	CONNECTOR PLATE	VOLTAGE	DESCRIPTION	PART NUMBER
Optical for oil/fluid grease	Contact NO/NC	2L	Type 1 3133807	24Vdc	SMART3-SIMP-24V-2L-OP-NC/NO	4012018
				110Vac-50/60Hz	SMART3-SIMP-110V-2L-OP-NC/NO	4012118
				230Vac-50Hz	SMART3-SIMP-230V50-2L-OP-NC/NO	4012218
				230Vac-60Hz	SMART3-SIMP-230V60-2L-OP-NC/NO	4012618
		3L		24Vdc	SMART3-SIMP-24V-3L-OP-NC/NO	4012318
				110Vac-50/60Hz	SMART3-SIMP-110V-3L-OP-NC/NO	4012418
				230Vac-50Hz	SMART3-SIMP-230V50-3L-OP-NC/NO	4012518
				230Vac-60Hz	SMART3-SIMP-230V60-3L-OP-NC/NO	4012718

N.B. The following specifications apply for all models:

*Bypass calibration pressure 25 bar; Pressure switch 18 bar; Pressure gauge 0 – 100 bar.*

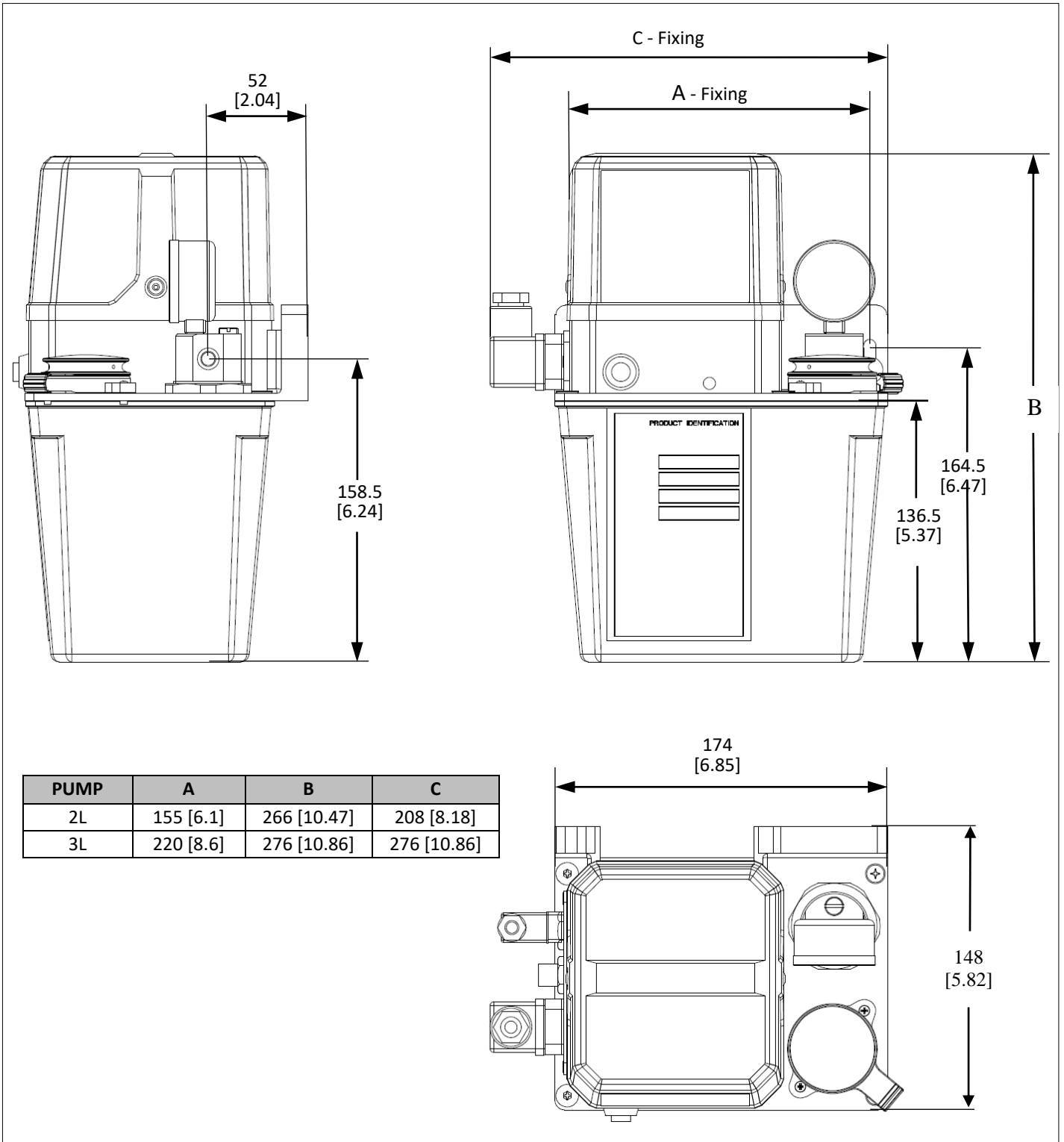
## 12.2 SPARE PARTS

ITEM	DESCRIPTION	PART NUMBER
<b>PUMP</b>	180 DC flow rate	3099166
<b>MOTOR</b>	110Vac 50/60Hz single-phase - 140/175W 2P(2800/3500 rpm)	3301565
	230Vac 50Hz single-phase - 135W 2P(2800 rpm)	3301567
	230Vac 60Hz single-phase - 170W 2P- (3500 rpm)	3301600
	24Vdc - 55W (2800 rpm)	3301582
<b>SENSOR LEVEL</b>	Magnetic	1655763
	Optical	1639201
<b>RESERVOIR</b>	2 L	6770102
	3 L	6770033
<b>FILTER</b>	1000µ grade	3130466
<b>PRESSURE GAUGE</b>	0 -100 bar	0020564
<b>PRESSURE SWITCH</b>	NA 10÷20 bar set.18bar	3291048
	NC 10÷20 bar set.18bar	3291035
<b>CONTROL PCB</b>	110Vac	1639225
	230Vac	1639224
	24Vdc	1639226

## 12.3 Connector ACCESSORIES

ITEM	DESCRIPTION	PART NUMBER
<b>C</b>	<b>CONNECTOR M12 X 1</b> 4 poles plug connector -female	0039169
<b>D</b>	<b>CONNECTOR M12 X 1</b> 5 poles plug connector -female	0039170
<b>A</b>	<b>DIN 43650 CONNECTOR</b> 3 poles /heart connector –PG9 output cables	0039976
<b>B</b>	<b>DIN 40050 CONNECTOR</b> 3 poles / heart -female- miniaturized connector	0039841

### 13. DIMENSIONS



### 14. HANDLING AND TRANSPORT

Before shipping, the SMART3 pumps are carefully packed inside cardboard boxes. When transporting and storing the equipment, pay attention to the direction indicated on the boxes themselves. Upon receipt, check that the package has not been damaged and store the equipment in a dry location. Manual handling must be done by at least two people.

**Lift the equipment according to the direction shown on the cardboard package.**  
**The machine components can support storage temperatures between -20 to + 65 °C; however, to prevent damage, the machine must only be started up after the machine has reached a temperature of +5 °C.**

## 15. OPERATING HAZARDS

The warnings about the risks involved in using a pump for lubricants must be read.

The operator must understand its operation and clearly understand the hazards connected to pumping pressurized grease.

Therefore we recommend the following:

- Check the chemical compatibility of the material with which the pump is built with the fluid to be pumped (see chap. 4). An incorrect selection could cause, in addition to damaging the pumps and pipes, serious risks for people (spillage of irritating products that are harmful to health) and for the environment.
- Never exceed the maximum operating pressure permitted for the pump and the components connected to it. In the case of doubt, refer to the data specified on the machine plate.
- Only use original spare parts.
- If components must be replaced with others, make sure they are suitable for operating at the pump's maximum operating pressure.



### **ATTENTION!**

Never try to stop or deviate any leaks with your hands or other body parts.

**Note:** Personnel must use protective devices, garments and tools in compliance with current standards with regard to the location and the use of the pump both during work as well as during maintenance operations.



**ATTENTION:** The warnings about the risks involved in using a pump for lubricants must be read. The user must understand its operation using the user and maintenance manual.

### **Power supply**

Any type of intervention must not be carried out before unplugging the machine from power supply. Make sure that no one can start it up again during the intervention. All the installed electric and electronic equipment, reservoirs and basic components must be grounded.

### **Flammability**

The lubricant generally used in lubrication systems is not normally flammable. However, it is advised to avoid contact with extremely hot substances or naked flames.

### **Pressure**

Prior to any intervention, check the absence of residual pressure in any branch of the lubricant circuit as it may cause oil sprays when disassembling components or fittings.

After long periods of inactivity, check the seal of all the parts subject to pressure.

Do not subject the fittings, pipes and pressurized parts to violent impacts.

Damaged flexible pipes or fittings are DANGEROUS and must be replaced.

Only original spare parts should be used.

### **Noise**

Under normal operating conditions, noise emission **does not exceed 70 dB“A** at a distance of 1 metre (39.3 inches) from the pump.



**NOTE:** The pump was designed to operate with lubricants with a maximum rating NLGI 000. <sup>(1)</sup>

Use lubricants that are compatible with NBR gaskets.

Any internal residual lubricant used for assembly and testing purposes is 32 cSt oil

<sup>(1)</sup>The use of the pump with grease with a consistency NLGI000 must be assessed on a case by case basis given the extreme difference in the sliding properties of the compound, which depends both on the viscosity of the base oil as well as the soaps and additives that are used.

The use of the pump with grease with a consistency NLGI000 must be assessed on a case by case basis given the extreme difference in the sliding properties of the compound, which depends both on the viscosity of the base oil as well as the soaps and additives that are used. \*

A comparison table is provided between the classification of NLGI lubricants (National Lubricating Grease Institute) and the ASTM classification (American Society for Testing and Materials) for greases for the values that concern the pump.

GREASES	
NLGI	ASTM
000	445 – 475

For further information about the technical specifications and the safety measures to adopt, refer to the product safety sheet (Directive 93/112/EEC) relative to the type of lubricant selected and supplied by the manufacturer.

## 15.1 GUIDELINES FOR USE

Compliance with the essential safety requirements and the provisions specified in the machine directive was checked by filling out prepared check lists that are contained in the technical file.

Two types of lists were used:

- Riskassessment (UNI EN ISO 14121-1).
- Compliance with the essential safety requirements Machine Directive –EC 06/42).

**The risks that were not completely eliminated, but considered acceptable, are specified below:**

- Electrocutation: this can only occur in the case of serious user incompetence.
- Use of unsuitable lubricant: the types of fluids that are not compatible with correct pump operation are listed below.\*
- Contact with harmful fluids.

<b>FLUIDS THAT ARE NOT PERMITTED</b>	
<b>FLUIDS</b>	<b>RISKS</b>
Lubricants with abrasive additives	Wear of the components inside the pump
Lubricants with silicone additives	Pump seizure
Petrol – solvents – inflammable liquids	Fire – explosion – damage to the gaskets
Corrosive products	Pump corrosion - damage to people
Water	Pump oxidation
Food substances	They would be contaminated

\* For more detailed information regarding product compatibility with particular fluids, contact the Dropsa S.p.A. technical office